

Punto - Prismatic lens - ND - RAL 9005 / RAL 9005  
05.34310012-9005

**Fixture details**

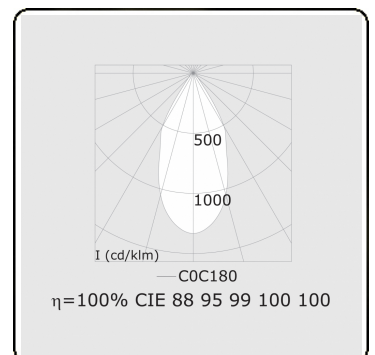
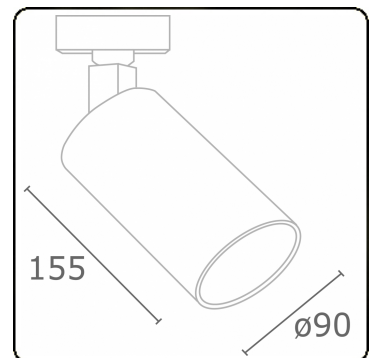
Mounting	3-circuit track
Light emission	Spotlight
Fitting cover	prismatic lens
Protection rate	IP 20
Housing	Aluminium
Finish	RAL 9005 Jet black
Certificates	CE, ISO 9001

**Electric details**

Protection class	I
Supply	230V
Control gear box	Current driver

**Lamp details**

Lamptype	LED 2700K 50°
Wattage	20W
Luminaire power	20W
Luminaire luminous flux	1440
Number	1
Lifetime LED module	L80/B10 = 50000h
Color tolerance	MacAdam 3
CRI	>90



**ENERGY**

Verkrijgbaar op aanvraag.

Disponible sur demande.

Available on request.

Auf Anfrage.

**WXYZ**  
kWh/1000h

**MULTILINE®**

2019/2015