

Rekta 30x110 Direct/Indirect - satin - HO 150mA - RAL
04.13700564-9999

Fixture details

| | |
|-----------------|---------------------------|
| Mounting | Pendant |
| Light emission | Direct-Indirect |
| Fitting cover | satin diffusor |
| Protection rate | IP 20 |
| Housing | Aluminium |
| Finish | RAL colour at your choice |
| Certificates | CE, ISO 9001 |

Electric details

| | |
|------------------|----------------|
| Protection class | I |
| Supply | 230V |
| Control gear box | Current driver |

Lamp details

| | |
|---------------------|-------------------|
| Lamptype | LED 4000K |
| Wattage | 3,2W |
| Gross luminous flux | 7425 |
| Luminaire power | 38,7W |
| Number | 11 |
| Lifetime LED module | L80/B10 > 102000h |
| Color tolerance | MacAdam 3 |
| CRI | >80 |

Photometric details

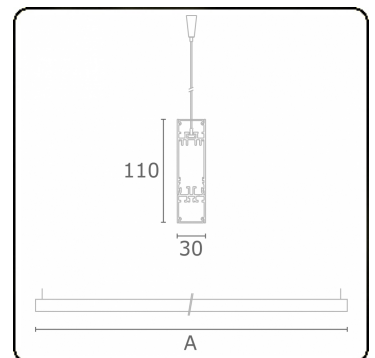
| | |
|-----------------------|-----------------|
| UGR | >19 |
| CIE Fluxcode | 50 80 96 100 67 |
| CIE Fluxcode Indirect | 00 00 00 00 67 |

Dimensions

| | |
|---|---------|
| A | 1690 mm |
|---|---------|

Remarks

Suspended luminaire - Direct/Indirect - HO 150mA - satin (flush) - RAL



ENERGY

Verkrijgbaar op aanvraag.

Disponible sur demande.

Available on request.

Auf Anfrage.

WXYZ
kWh/1000h

MULTILINE®

2019/2015