

Grip

MULTILINE
bright with light



DESIGN PLUS

powered by: light+building

2022





Multiline Licht nv
Europaweg 1, B-3560 Lummen
sales@multiline-licht.com
www.multiline.be

Multiline Rahne Licht GmbH
Hirzenrott 2-4, D-52076 Aachen
info@multiline-rahnelicht.de
www.multiline-rahnelicht.de

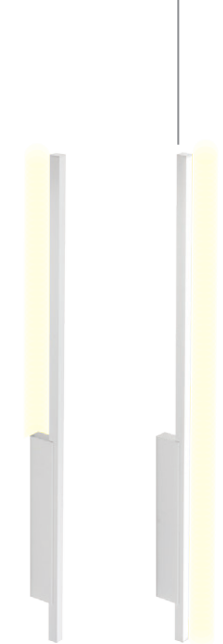
Multiline Nederland bv
Gildenstraat 26, NL-4143 HS Leerdam
sales@multiline-licht.nl
www.multiline-licht.nl

STANDING LUMINAIRES:

- T1: H 532mm
- T2: H 2000mm



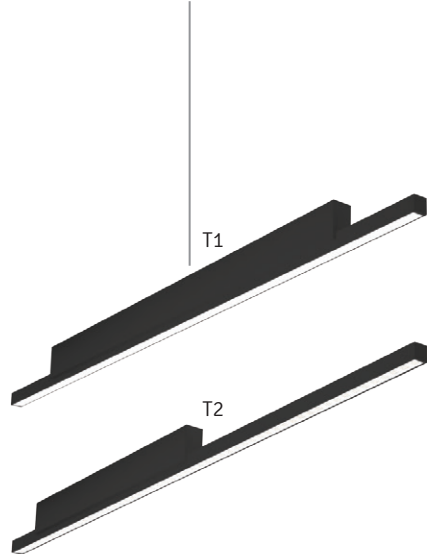
WALL LUMINAIRES



T2 indirect

T2 direct

WALL AND SURFACE MOUNTED LUMINAIRES



T1

T2

DIFFUSER:



LRLB =
Lens
Reflector
Louvre
matte Black



LRLC =
Lens
Reflector
Louvre
matte Chrome



LRLW =
Lens
Reflector
Louvre
matte White



**satin LED
diffuser**